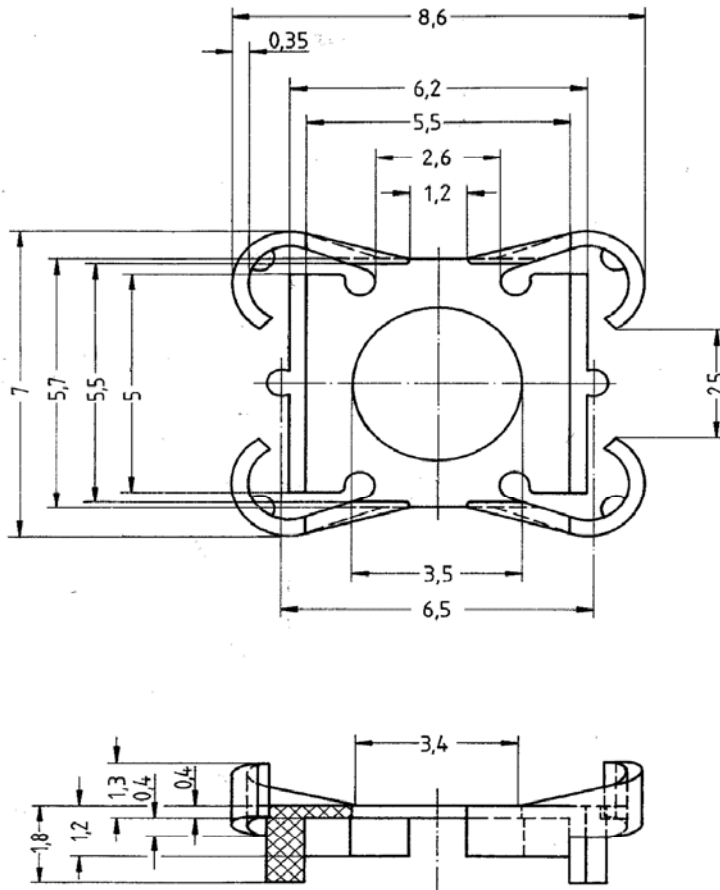


The reproduction, distribution and utilization of this document as well as the communication of its contents to others without explicit authorization is prohibited. Offenders will be held liable for the payment of damages. All rights reserved in the event of the grant of a patent, utility model or design.



Artikel / part no.: 9901417 (Satz 50 St. / kit 50 pices)  
 9901398 (Einzelteil / single part)  
 Material / material : Kunststoff PA66 / plastic PA66

**1) Technische Aenderungen vorbehalten**  
 Subject to change without notice

Dieses Bauteil unterliegt den Reglementierungen der RoHS Richtlinie und deren Umsetzung im ElektroG.

This component is subject to the RoHS directive and its applications within the Electrical and Electronic Equipment Act (ElektroG).

	Toleranzen tolerances	Oberfläche surface		Maßstab/scale	
		Date	08.07.14	Haltekäfig für Vierkantmutter M2,5 retaining cage for square nut M2,5	
	Name	Kör.	<b>1</b> Blätter sheets		
	Prf.	<b>HEITEC</b>		Blatt sheet <b>1</b>	
Rev.	Rev no.				Date