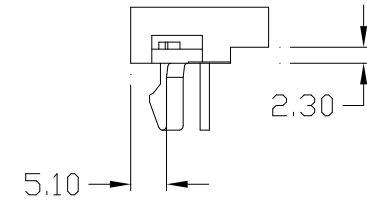
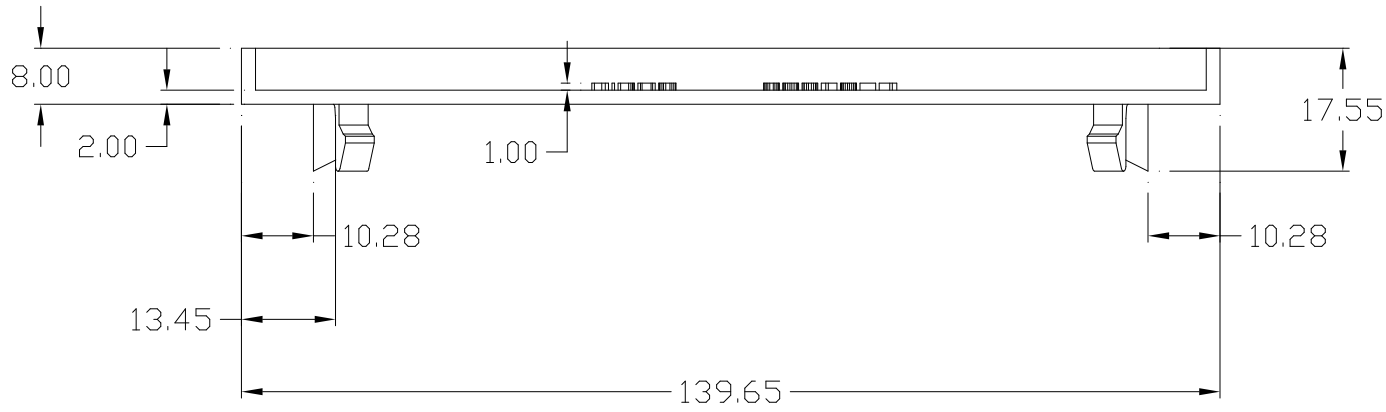
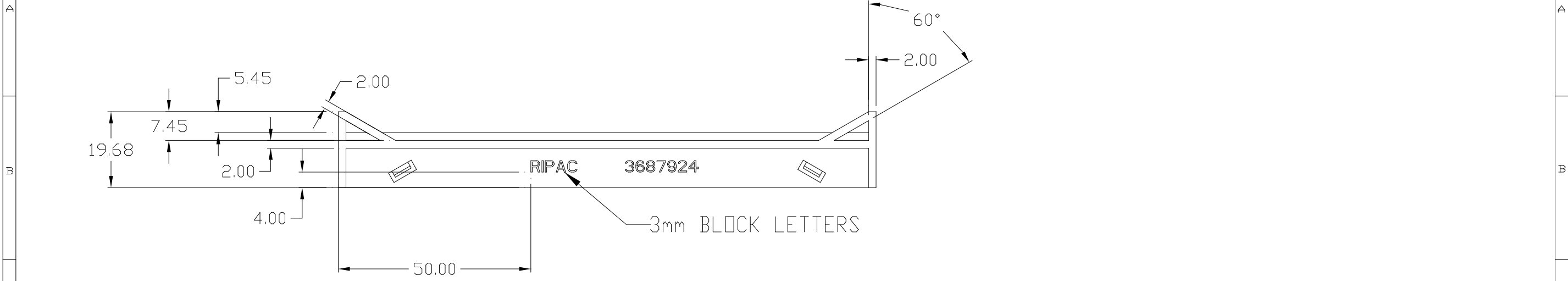


1 2 3 4 5 6 7 8



SHEET 1 of 2 FOR INSPECTION

<p>This drawing contains proprietary and confidential information of Rittal Corp. and must be used strictly in accordance with the limited purpose for which it was submitted. Any reproduction, disclosure, or use of this drawing is expressly prohibited except as Rittal Corp. may otherwise agree in writing.</p>	<p>ISO 1101/ANSI Y14.5</p> <p>Switch to perfection</p> <p>RIPAC</p>	<p>TOLERANCES UNLESS OTHERWISE SPECIFIED</p> <p>.0            %p.2</p> <p>.00         %p.15</p> <p>.000        %p.100</p> <p>ANGLES    %p.5%<math>\phi</math></p> <p>ALL BENDING TOLERANCES TO BE %p.25</p> <p>ALL INSIDE RADII TO BE 1 - 15 X MAT'L THICK</p> <p>ALL DIM'S IN MILLIMETERS</p>	MATERIAL:		FINISH:		DATE	NAME	REFERENCE:			
											PART NO: 3687924	
												SLOT BLOCKER
												RITTAL Corp. 1 Rittal Place Springfield, Ohio 45504
1	2	3	4	REV	CHANGE	ECN	DRAWN	DATE	CHECK	DATE		D1792400RP23

