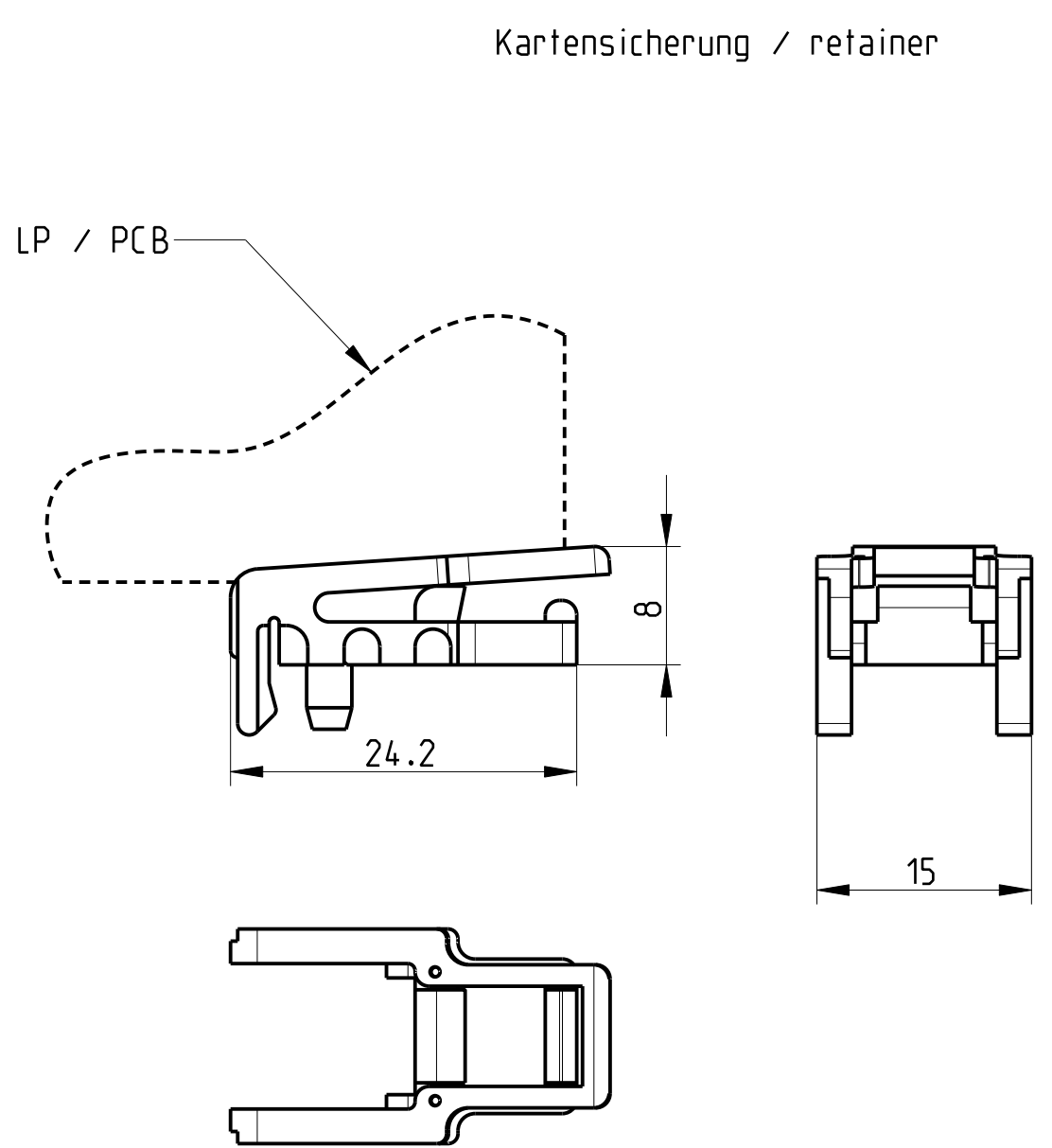
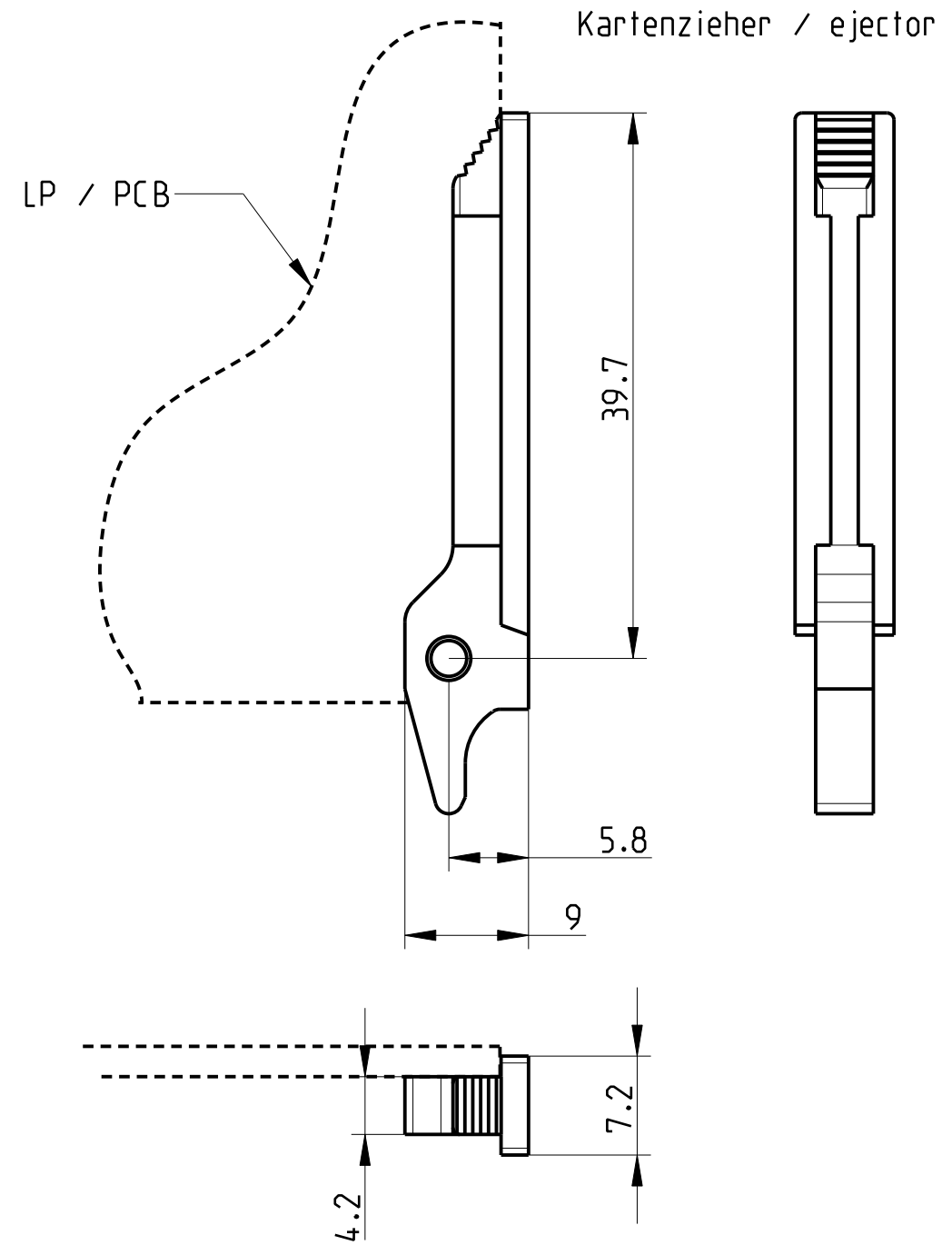


The reproduction, distribution and utilization of this document as well as the communication of its contents to others without explicit authorization is prohibited. Offenders will be held liable for the payment of damages. All rights reserved in the event of the grant of a patent, utility model or design.



Art.-Nr. / Part no .: 3687014 (VE 10 St. / Pack of 10)
 Material / material: Kunststoff / plastic PC GF20 UL94 V0
 Farbe / color : RAL 7035 grau / gray

- 1) Standardprodukt: alle weiteren Typen auf Anfrage
 Standard product: all other types on request
- 2) Technische Aenderungen vorbehalten
 Subject to change without notice

Dieses Bauteil unterliegt den Reglementierungen der RoHS Richtlinie und deren Umsetzung im ElektroG.

This component is subject to the RoHS directive and its applications within the Electrical and Electronic Equipment Act (ElektroG).

	Toleranzen tolerances		Oberfläche surface		Maßstab/scale 10:1	
Rev.	Rev no.	Date	Name	Date 08.07.14	Kartenzieher + Sicherung board ejector + retainer	
				Name Kör.		
				HEITEC		1 Blätter sheets Blatt sheet 1
						A1379300RP53

CAD